


REQUEST FOR QUOTATION

	BHARAT HEAVY ELECTRICALS LIMITED Electronics Division PB No. 2606, Mysore Road Bangalore - 560026 INDIA	RFQ NUMBER: ANK0000234 RFQ DATE : 17.06.2019	Due Date/Day: 03.07.2019 WED Time : 13:00 HRS Tender Box : Reception Area Opening Venue: NEW ENGG. BLDG
MMI:PU:RF:003	(address for communication) :		(for all correspondence)
		Purchase Executive : Ankita Reja Phone : 08025146134 Fax : E-mail: ankitareja@bhel.in	

1. Please drop your offer before due date & time in the tender at the reception of BHEL-ESD, Electronic city-1, Bangalore.
2. Offers by e-mail are also accepted. The offers by Email shall be sent to Email ID defnesdmm@bhel.in with subject line RFQ: ANK0000234.
3. Quotations and Items should be delivered to:
 BHEL-ESD,
 PLOT NO 98,
 ELECTRONIC CITY PHASE 1,
 HOSUR ROAD,
 BANGALORE-560100,
 KARNATAKA.

SI No.	Description	Qty	Unit	Delivery qty	Delivery Date
1	DR0490004327 Resistor Board * HSN/SAC : 8504 Resistor Board (As per BHEL Dwg. 36860000011 Rev 00)	159	NO	159	17.07.2019
2	DR0490004335 Earthing Board * HSN/SAC : 8504 Earthing Board (As per BHEL Dwg. 36860000012 Rev 00)	954	NO	954	17.07.2019
3	DR0490004343 Relay Board * HSN/SAC : 8504 Relay Board (As per BHEL Dwg. 36860000010 Rev 00)	1,749	NO	1,749	17.07.2019

Total Number of Items - 3

- 1.
- 2.

TWO PART BID - SUBMIT TECHNICAL AND PRICE BID IN SEPARATE SEALED COVERS

NOTES:

1. This RFQ is governed by:
 - a) INSTRUCTIONS TO BIDDERS/SELLERS and GENERAL CONDITIONS OF CONTRACT FOR PURCHASE available at <http://edn.bhel.com> (**RFQ-PO Terms & Conditions**)
 - b) Any other specific Terms and Conditions mentioned.
 2. Bidders / Representatives who would like to be present during opening of offers are required to furnish authorization letter for the same.
- * The HSN/SAC no mentioned against the line items in the RFQ are indicative only.

For and On behalf of BHEL.

Ankita Reja
Control Equipment

1 OF 1

RFQ No.ANK0000234 - SPECIAL INSTRUCTIONS

1. This RFQ is issued for entering into rate contract with BHEL for 1749 no's Relay Board (11 nos./PCU), 954 no's Earthing Board(6 nos./PCU), and 159 no's Resistor Board(1 no./PCU).
2. BHEL may consider an additional qty of $\pm 10\%$ of above quantities.
3. Validity of this Rate contract will be for 1 year from the date of award of the contract.
4. The prices and other terms and conditions agreed upon shall remain firm till the validity of the rate contract or till completion of supplies against the purchase orders placed against this rate contract, whichever later.
5. RFQ qty is the projected quantity for 1 year. Purchase orders shall be placed as and when actual requirements arise during the tenure of this rate contract.
6. The quotation has to be submitted in TWO parts
 - i. PQC, Purchase specification, Techno-commercial unpriced bid AND
 - ii. Price bidSeparately against this RFQ. The PQC and Techno-commercial bids will be opened on the due date specified and shall be evaluated such that all technical and commercial issues are frozen. The date and time of opening of price bids will be intimated to the bidders whose techno-commercial bids are accepted.
7. Offers by e-mail are also accepted. Offers by e- mail to be sent to defnesdmm@bhel.in.
8. Validity of the offer should be 90 days for entering into Rate contract.
9. Offer shall be liable for rejection in case of non-acceptance for entering into a Rate Contract.
10. Delivery Period: As per point 3 of Annexure-A.
11. Warranty shall be for 12 months from the date of supply of items.
12. Itemwise L1 shall be considered.
13. Drawings and BOM to be provided along with the technical offer.
14. Quotations and items should be sent to:

BHEL - ESD, plot no. #98, electronic city phase 1, Hosur road, Bangalore- 560100.



**PRE QUALIFICATION CRITERIA
PCB MOUNTED MODULES**

PQC/460/0028
REV. 00

Page 1 of 2

REVISION HISTORY SHEET

REV NO	DATE	NATURE OF CHANGE	REASON	PREPARED BY	APPROVED BY
00	04-06-19	First Issue	NA	PS	PB

REVISION : 00

APPROVED BY
PB

PREPARED BY
PS

ISSUED BY
DE – ENGG.

DATE
04-06-2019



PRE QUALIFICATION CRITERIA PCB MOUNTED MODULES

PQC/460/0028
REV. 00

Page 2 of 2

1.0 PRE-QUALIFICATION CRITERIA (PQC)

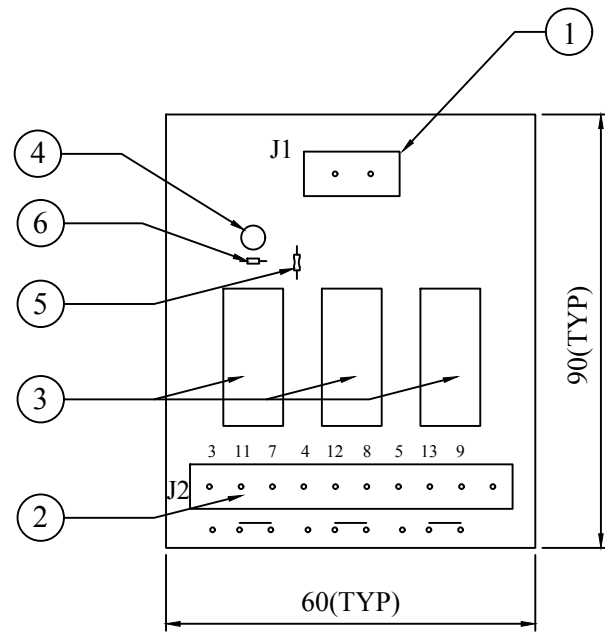
The supplier shall necessarily meet the following conditions:

Sl. No	Particulars	Supplier's Confirmation (Y/N)
1	<p>The Vendor shall be an Original Equipment Manufacturer (OEM) or OEM's authorized dealers/representative.</p> <p><i>A latest valid authorization letter from OEM giving full contact details shall be furnished along with offer (by dealer/representative).</i></p>	
2	<p>Offer shall be for new equipment and not for any refurbished or used equipment. All the parts used in the equipment shall be new and not used / refurbished ones.</p> <p><i>A declaration (on company's letter head) to that effect to be furnished along with the offer.</i></p>	
3	<p>Vendor shall have an experience of supplying similar PCB mounted modules to at least 2 (two) customers as on date of tender opening.</p> <p><i>Purchase order (with/without price) in support of the claim is to be furnished along with the offer.</i></p>	
4	<p>The vendor or vendor's authorized service representatives shall be in a position to provide prompt after sales service and support.</p> <p><i>A declaration (on company's letter head) to that effect to be furnished along with the offer.</i></p>	

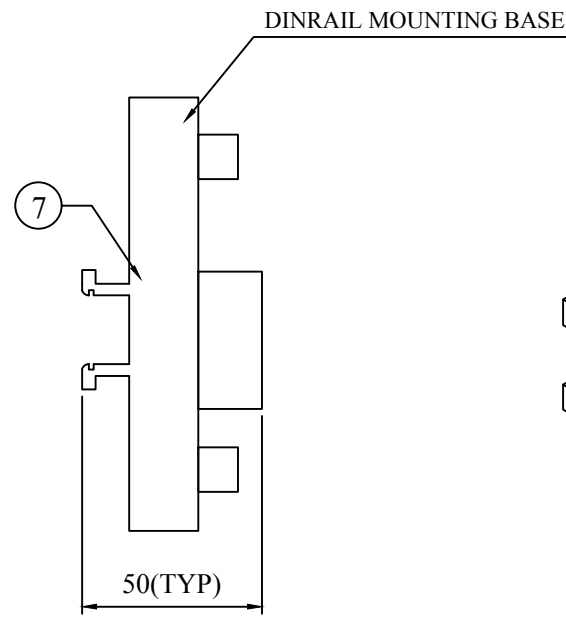
Note:

- 1) The Pre-Qualification Criteria (PQC) are mandatory requirements and the technical bid will be considered only if all the above PQC's are met.
- 2) All supporting documents/declarations related to PQC shall be enclosed with techno-commercial offer.

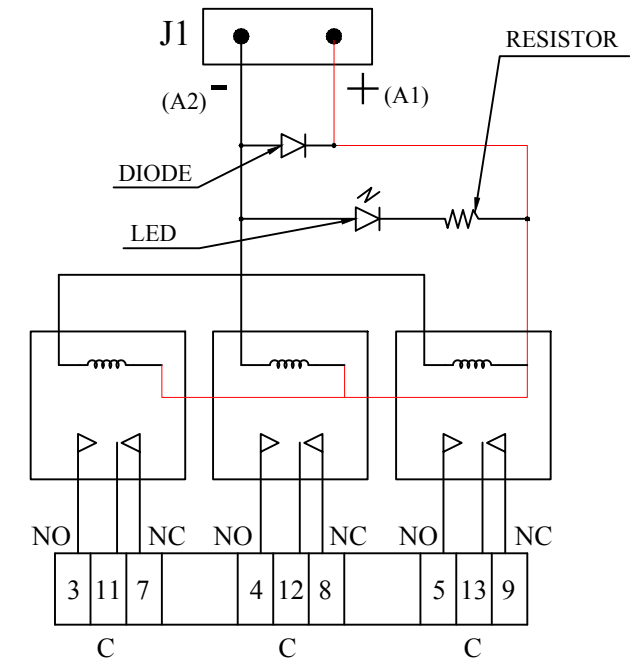
DRAWING NO. 3 686 00 989 0010



COMPONENT VIEW



ISOMETRIC VIEW



CIRCUIT DIAGRAM

BILL OF MATERIAL

SL. NO.	DESCRIPTION	QTY. (No.)
1	2 WAY WAGO CONNECTOR	
	(i) 734-102 FEMALE	01
	(ii) 734-132 MALE	01
2	10 WAY WAGO CONNECTOR	
	(i) 734-110 FEMALE	01
	(ii) 734-140 MALE	01
3	OMRAN RELAY G2RL-1, 24V DC, 1 COC, 12A / 230V AC OR EQUIVALENT	03
4	LED RED (INDICATION)	01
5	RESISTOR (SUITABLE FOR LED CURRENT LIMIT)	01
6	BLOCKING DIODE (SUITABLE)	01
7	SUITABLE PCB WITH DINRAIL MOUNTING	01

NOTE:-

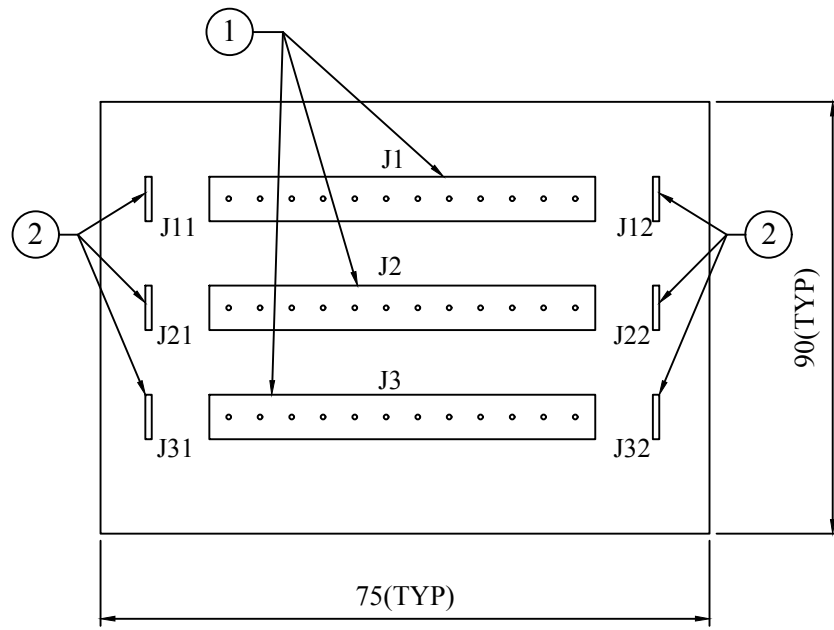
- ALL COMPONENTS TO BE MOUNTED AND SOLDERED.
- WAGO FEMALE CONNECTORS TO BE MOUNTED AND SUPPLIED.

MATERIAL : DR0490004343

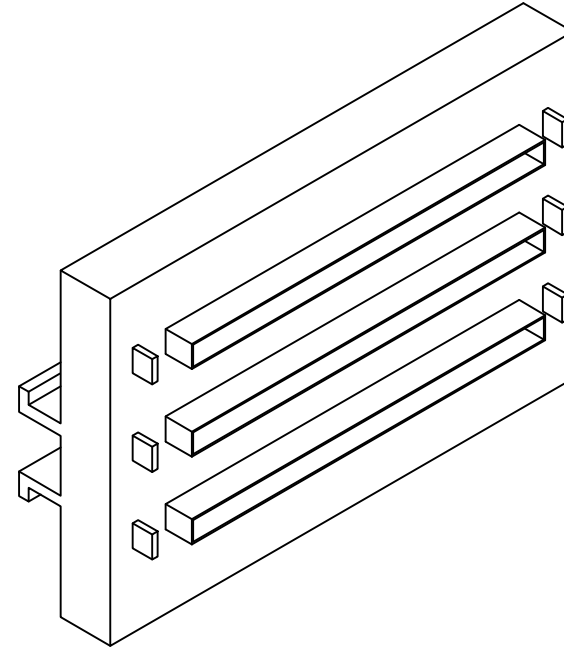
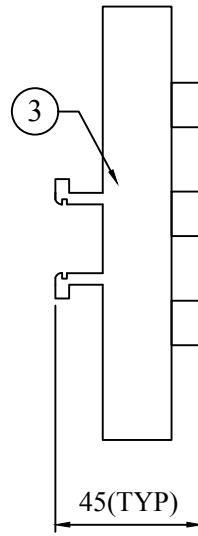
TYPE OF PRODUCT OR NAME OF CUSTOMER/PROJECT		:- SOLAR POWER CONDITIONING UNIT			
BHARAT HEAVY ELECTRICALS LIMITED. ELECTRONICS DIVISION, BANGALORE	DRN	NAME	SIGN.	DATE	No. OF VAR
	CKD	MBR		14.03.19	
	APPD	BM		14.03.19	
DEPT. DABG	FOR UNSPECIFIED-TOLERANCES REFER ED 0230499	SCALE	WEIGHT(Kg)	REF. TO ASSY. DRG.	ITEM NO. No. OF ITEM
CODE 460		NTS			
TITLE			DRAWING NO.		REV.
RELAY BOARD			3 686 00 00010		00
SHEET NO. 01		NO. OF SHEETS 01			

COPYRIGHT AND CONFIDENTIAL
The information on this document is the property of Bharat Heavy Electricals Limited. It must not be used directly or indirectly in anyway detrimental to the interest of the Company.

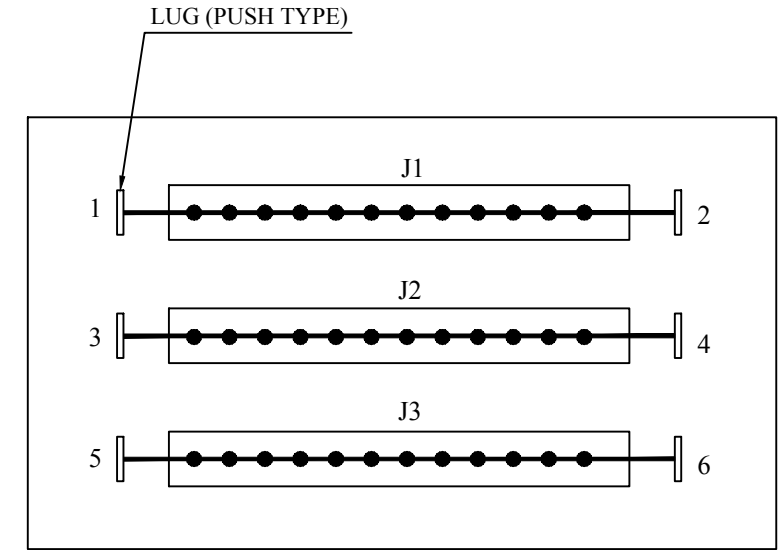
DRAWING NO. 3 686 00 989 3



COMPONENT VIEW



ISOMETRIC VIEW



CIRCUIT DIAGRAM

BILL OF MATERIAL

SL. NO.	DESCRIPTION	QTY. (No.)
1	10 WAY WAGO CONNECTOR	
	(i) 734-142 MALE	03
	(ii) 734-112 FEMALE	03
2	SUITABLE LUG PIN SOLDERED ON PCB	06
3	SUITABLE PCB WITH DINRAIL MOUNTING	01

MATERIAL : DR0490004335

NOTE:-

1. ALL COMPONENTS TO BE MOUNTED AND SOLDERED.
2. WAGO FEMALE CONNECTORS TO BE MOUNTED AND SUPPLIED.

TYPE OF PRODUCT OR NAME OF CUSTOMER/PROJECT :- SOLAR POWER CONDITIONING UNIT

DRN	NAME	SIGN.	DATE	No. OF VAR
MBR			14.03.19	
CKD	BM		14.03.19	
APPD	BM		14.03.19	

DEPT.	FOR UNSPECIFIED-TOLERANCES REFER ED 0230499	SCALE	WEIGHT(Kg)	REF. TO ASSY. DRG.	ITEM NO.	No. OF ITEM
DABG		NTS				

TITLE	DRAWING NO.	REV.
<u>EARTHING / SHORTING BOARD</u>	3 686 00 00012	00
	SHEET NO. 01	NO. OF SHEETS 01

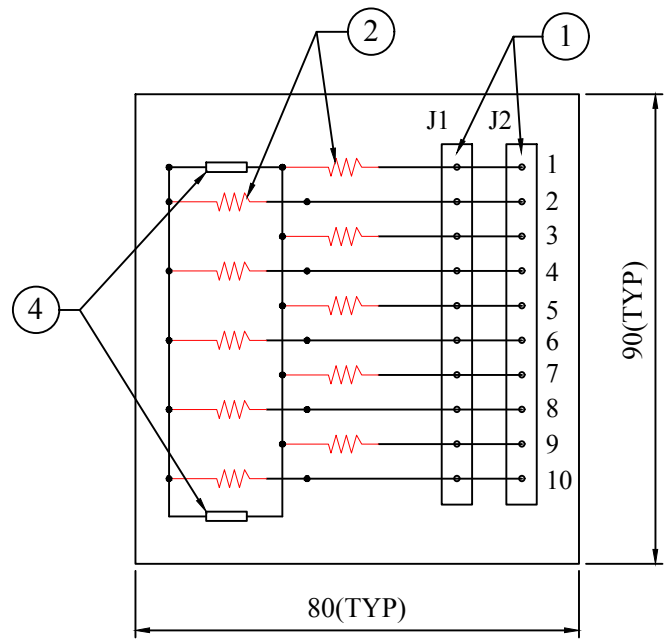
COPYRIGHT AND CONFIDENTIAL
The information on this document is the property of Bharat Heavy Electricals Limited.
It must not be used directly or indirectly in anyway detrimental to the interest of the Company

REF. DRG.NO.

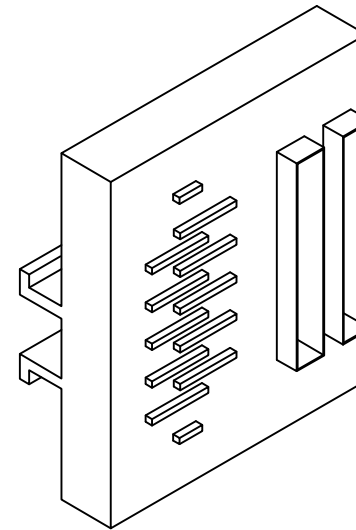
SIGN & DATE

INVENTORY NO.

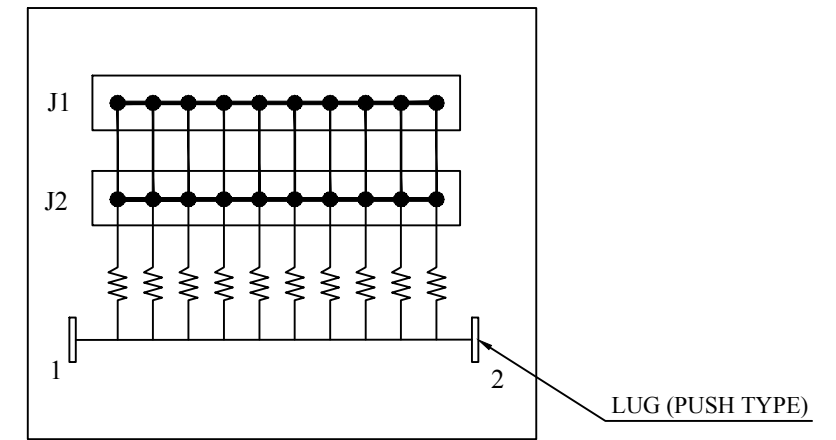
DRAWING NO. 3 686 00 989 3



COMPONENT VIEW



ISOMETRIC VIEW



CIRCUIT DIAGRAM

BILL OF MATERIAL

SL. NO.	DESCRIPTION	QTY. (No.)
1	10 WAY WAGO CONNECTOR	
	(i) 734-110 FEMALE	02
	(ii) 734-140 MALE	02
2	RESISTOR, 10 OHM, 1%, 5W	10
3	SUITABLE PCB WITH DINRAIL MOUNTING	01
4	SUITABLE LUG PIN SOLDERED ON PCB	02

MATERIAL : DR0490004327

NOTE:-

1. ALL COMPONENTS TO BE MOUNTED AND SOLDERED.
2. WAGO FEMALE CONNECTORS TO BE MOUNTED AND SUPPLIED.

TYPE OF PRODUCT OR NAME OF CUSTOMER/PROJECT :- SOLAR POWER CONDITIONING UNIT

	DRN	NAME	SIGN.	DATE	No. OF VAR
	MBR			14.03.19	
	CKD	BM		14.03.19	
	APPD	BM		14.03.19	

DEPT.	FOR UNSPECIFIED-TOLERANCES REFER ED 0230499	SCALE	WEIGHT(Kg)	REF. TO ASSY. DRG.	ITEM NO.	No. OF ITEM
DABG		NTS				

TITLE	DRAWING NO.	REV.
RESISTOR BOARD	3 686 00 00011	00
	SHEET NO. 01	NO. OF SHEETS 01

COPYRIGHT AND CONFIDENTIAL
The information on this document is the property of Bharat Heavy Electricals Limited. It must not be used directly or indirectly in anyway detrimental to the interest of the Company

REF. DRG. NO.

SIGN & DATE

INVENTORY NO.

Commercial Terms Discussion For ANK000234 (PCB MOUNTED MODULES)

Sl. No.	BHEL Terms	Complied (Yes/No)	Remarks
1	Payment Terms (100% within 45 days after receipt and acceptance of material)		
2	Penalty (0.5% per week on the basic value of the undelivered quantity max upto 10%)		
3	Delivery time Relay Board Prototype: 1 no. within 2 weeks of issue of PO. 1st Lot: 300 nos. within 6 weeks of approval (by BHEL)of prototype. 2nd Lot: 300 nos. within 9 weeks of approval (by BHEL)of prototype. 3rd Lot: 258 nos. within 11 weeks of approval (by BHEL)of prototype. Balance: 8 weeks from the date of PO. Earthing Board Prototype: 1 no. within 2 weeks of issue of PO. 1st Lot: 150 nos. within 6 weeks of approval (by BHEL)of prototype. 2nd Lot: 150 nos. within 9 weeks of approval (by BHEL)of prototype. 3rd Lot: 168 nos. within 11 weeks of approval (by BHEL)of prototype. Balance: 8 weeks from the date of PO. Resistor Board Prototype: 1 no. within 2 weeks of issue of PO. 1st Lot: 25 nos. within 6 weeks of approval (by BHEL)of prototype. 2nd Lot: 25 nos. within 9 weeks of approval (by BHEL)of prototype. 3rd Lot: 28 nos. within 11 weeks of approval (by BHEL)of prototype. Balance: 8 weeks from the date of PO.		
4	Price Firm (PVC not acceptable- Prices should be firm till execution of order)		
5	Packing And Forwarding By Supplier		
6	Free Door Delivery at BHEL ESD, Electronic City		
7	Offer Validity (90 days from the tender opening)		
8	Validity of Rate Contract 1 year from the date of award of the contract		
9	Taxes & duties to be mentioned in offer (Applicable GST%)		
10	HSN Code		
11	Warranty 12 months from the date of supply		
12	Documents to be submitted along with offer		
a	Datasheets / Catalogues		
b	Distributor's authorisation certificate, if any		
13	Documents to be submitted along with supply of items. Confirmation for the same is required in technical offer.		
a	Test certificate/ Repots		
b	Datasheets / Catalogues		
c	Warranty Certificate		

Signature & Seal

PRICE BID

Price bid - ANK0000234

Sl. No.	Description	Quantity (No)	Currency	Unit Price	Total Price	Remarks
1	DR0490004343 Relay Board	1749				
2	DR0490004335 Earthing Board	954				
3	DR0490004327 Resistor Board	159				
4	GST (if applicable indicating %)					
A	Total cost including material cost and applicable taxes (in figures)					
	Total cost including material cost and applicable taxes (in words)					

** Itemwise L1 shall be considered.